

# HAFCO METALMASTER

## PP-10HD Hydraulic Press

### INSTRUCTIONS AND PARTS LIST

#### A NOTE ON SAFETY

We have done all we can to assure this press offers the utmost safety.

But you have to do your part. No amount of warnings can take the place of your good judgement. So make sure it's the first thing you bring to any job.

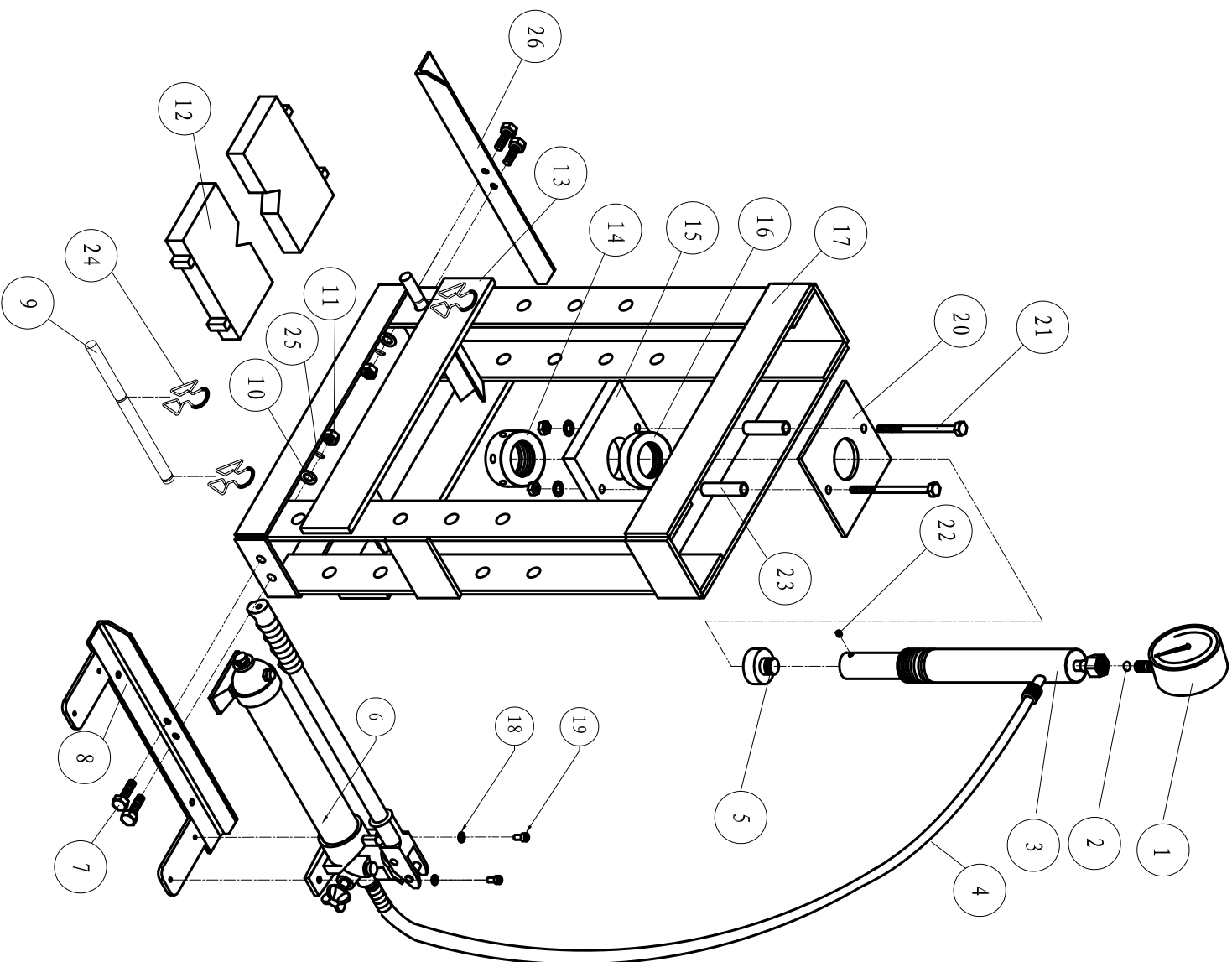
Beyond that there are some obvious tips

# Always Check machine before use to ensure there are no damaged or loose parts,

# Steel and other materials can shatter, so always use protective eyewear that applies to state WHS regulations

# If you detect anything that may indicate structural failure stop using the press immediately and inspect it thoroughly.

# Bolt the press to a suitable bench if it is to be used for bulky or unstable items.



序号	代号	名称	数量
1	TT-471	压力表	1
2	TT-63	尼龙垫	1
3	0803-07-a	油缸部件	1
4	TB-011	高压油管部件	1
5	0803-27-DX	顶头	1
6	0802CE-D-03	泵体部件	1
7	GB/T5781-M10*25	外六角螺栓，全螺纹	4
8	0802CE-D-02	底脚	1
9	0802CE-6	插销	2
10	GB/T95-φ10	平垫	6
11	GB/T41-M10	外六角螺母	6
12	0802CE-03	垫块	2
13	0802CE-01	中梁组件	1
14	0803-5-DX	下拼帽	1
15	0803-14	油缸安装板2	1
16	0803-11	上拼帽	1
17	0802CE-D-01	框架焊接图	1
18	GB/T95-φ8	平垫	2
19	GB/T70.1-M8*16	内六角螺钉	2
20	0803-13	油缸安装板1	1
21	GB/T5781-M10*110	外六角螺栓	2
22	GB/T777-M6*8	内六角锥端紧定螺钉	1
23	0802CE-D-1	限位管	2
24	0805C-12-a	卡环	4
25	GB/T93-φ10	弹垫	4
26	0803-7-a	底脚	1